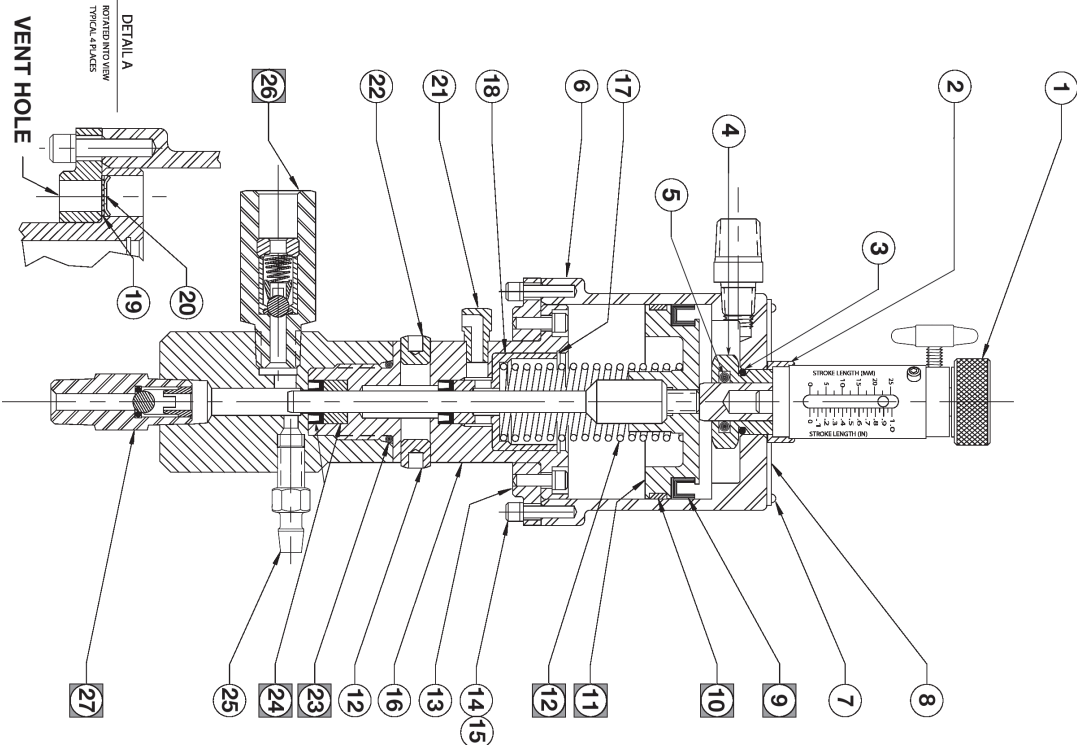


P250V & X SERIES PUMP PARTS LIST



ITEM	DESCRIPTION	NO. REQ'D	P250V/225 P250X/225	P250V/300 P250X/300
1	STROKE ADJUSTER - 250	1	SA202226	SA202226
2	RETAINER CUP	1	MC202136	MC202136
3	O-RING PISTON STOP - BUNA N	1	BR-016	BR-016
4	PISTON STOP - CYLINDER	1	MC202140	MC202140
5	O-RING PLUNGER - BUNA N	1	BR-111	BR-111
6	MOTOR CYLINDER	1	MC202124	MC202169
7	DRIVE SCREWS - DATA PLATE	3	S3216D	S3216D
8	DATA PLATE	1	DP202117	DP202284
9	U CUP-PISTON, BUNA N	1	MC225-02BR	MC300-02BR
10	GUIDE RING - PISTON	1	MC102121	MC102171
11	ASSY-PISTON/PLUNGER (SEE NOTE 1)	1	PP202126-01	PP202175-01
12	SPRING-PISTON RETURN	1	MC102122	MC102122
13	FACE PLATE-CYLINDER	1	MC202125	MC202168
14	SCREW, 8-32 X 1/2, SS	10	A83212SHCS	A83212SHCS
15	WASHER, #8 SS SPLIT LOCK	10	W8L	W8L
16	ASSY - BODY & FLUID CYLINDER	1	PP302118	PP302118
17	RETAINER - SPRING SEAT	1	MC102189	MC102189
18	SEAT - SPRING	1	MC202123	MC202123
19	DISC, FILTER, 304SS 60 MIC.	4	MC102360	MC102360
20	RETAINER - PLUG FILTER	4	MC102150	MC102150
21	PLUG - VENT, 1/16 NPT	2	PP102143	PP102143
22	PLUG - 1/8 NPT	2	OS601	OS601
23	O-RING BODY SEAL, BUNA N	1	BR-116-90	BR-116-90
24	PLUNGER SEAL SET (SEE NOTE 2)	1	SS250V-PE	SS250V-PE
25	BLEEDER PLUG W/HOSE BARB	1	BV202139	BV202139
26	ASSY. - CV4 DISCHARGE CHECK VALVE	1	CV202265	CV202265
26a	SPRING	1	CV102310	CV102310
26b	CHECK VALVE BODY	1	CV202266	CV202266
26c	BALL SEAT	1	CV202267	CV202267
26d	SLEEVE	1	CV202268	CV202268
26e	RETAINER SLEEVE	1	CV202269	CV202269
26f	1/4" BALL - 316 SS	1	CV4-2S	CV4-2S
26g	O-RING/TEFLON	1	T-009	T-009
27	ASSY. - CV4 SUCTION CHECK VALVE	1	CV202270	CV202270
27a	CHECK VALVE BODY	1	CV202285	CV202285
27b	SLEEVE	1	CV202286	CV202286
27c	RETAINER SLEEVE	1	CV202287	CV202287
27d	1/4" BALL - 316 SS	1	CV4-2S	CV4-2S
27e	O-RING/TEFLON	1	T-009	T-009
N/A	PUMP REPAIR KIT (SEE NOTES 1 & 2)	1	RK250V/225A-PE	RK250V/300A-PE
N/A	SEAL KIT (SEE NOTE 2)	1	SK250V/225-PE	SK250V/300-PE
N/A	PLUNGER SEAL SET (SEE NOTE 2)	1	SS250V-PE	SS250V-PE

REPAIR KITS: The items identified with the symbol are contained in a complete pump repair kit. The repair kits listed above contain the standard materials. Alternate plunger and seal materials must be specified separately.

NOTE 1: Plunger (Item #1). Designate the proper plunger material by adding a dash number to the base part number. For 17-4ph (-01), for 316SS (-02) and for ceramic (-04).

NOTE 2: PLUNGER SEAL SETS (Item #24). Seats must be compatible with the chemical used. Designate the proper seal material by adding a dash number to the base part number. For Polyethylene (-PE), Teflon Graphite (-TG), Teflon Composite (-TC), Viton (-V), Buna N (-BN) or Kalrez (-K). Please specify at placement of order.



P250V&X SERIES PUMP REPAIR KITS

REPAIR KIT NO. - RK250V225-□□(1)-□□(2)

PART NUMBER	DESCRIPTION	QUANTITY
BR-116-90	BODY SEAL O-RING	1
CV202265	DISCHARGE CHECK VALVE	1
CV202270	SUCTION CHECK VALVE	1
MC102121	PISTON GUIDE RING	1
MC102122	MOTOR RETURN SPRING	1
MC225-02BR	PISTON U-CUP-BUNA N	1
PP202126-□□(1)	PISTON /PLUNGER ASSEMBLY	1
SS250V-□□(2)	PLUNGER SEAL SET	1
G321M1	1 oz of SILICONE GREASE	1

SEAL KIT NO. - SK250V225-□□(1)**

PART NUMBER	DESCRIPTION	QUANTITY
BR-016	O-RING/BUNA N	1
BR-111	O-RING/BUNA N	1
BR-116-90	BODY SEAL O-RING	1
MC102121	PISTON GUIDE RING	1
MC225-02BR	PISTON U-CUP-BUNA N	1
SS250V-□□(2)	PLUNGER SEAL SET	1
T-009	O-RING/TEFLON	2
G321M1	1 oz of SILICONE GREASE	1

REPAIR KIT NO. - RK250V300-□□(1)-□□(2)

PART NUMBER	DESCRIPTION	QUANTITY
BR-116-90	BODY SEAL O-RING	1
CV202265	DISCHARGE CHECK VALVE	1
CV202270	SUCTION CHECK VALVE	1
MC102122	MOTOR RETURN SPRING	1
MC102171	PISTON GUIDE RING	1
MC300-02BR	PISTON U-CUP-BUNA N	1
PP202175-□□(1)	PISTON /PLUNGER ASSEMBLY	1
SS250V-□□(2)	PLUNGER SEAL SET	1
OR102385	TEFLON SEAL	1
G321M1	1 oz of SILICONE GREASE	1

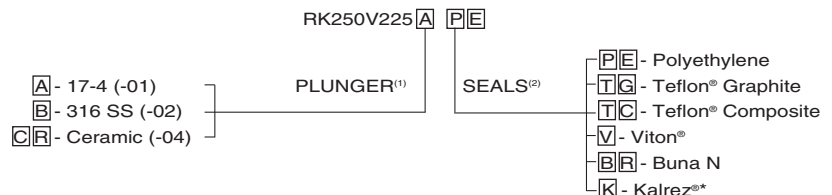
SEAL KIT NO. - SK250V300-□□(1)**

PART NUMBER	DESCRIPTION	QUANTITY
BR-016	O-RING/BUNA N	1
BR-111	O-RING/BUNA N	1
BR-116-90	BODY SEAL O-RING	1
MC102171	PISTON GUIDE RING	1
MC300-02BR	PISTON U-CUP-BUNA N	1
SS250V-□□(2)	PLUNGER SEAL SET	1
T-009	O-RING/TEFLON	2
G321M1	1 oz of SILICONE GREASE	1

(1) & (2) : To order the proper plunger and seal materials, please indicate the appropriate letter as shown in the example below.

* Equivalent material substitution without notice

** TO ORDER SEAL KITS: Identify seal kit number SK250V□□□ followed by plunger material code □□(1)



NOTE: The pump repair kits for the X Series plunger pumps are identical to the V Series shown above.