



**WILLIAMS**  
MILTON ROY

## LD100-TFE SERIES PUMP REPAIR KITS

### DIAPHRAGM KIT NO. - DKLD100-TFE

PART NUMBER	DESCRIPTION	QUANTITY
LD201173	Diaphragm (Teflon)	1
LD101232	Faceplate O-Ring (Teflon Coated)	1
V-125	Backplate O-Ring (Viton®)	1

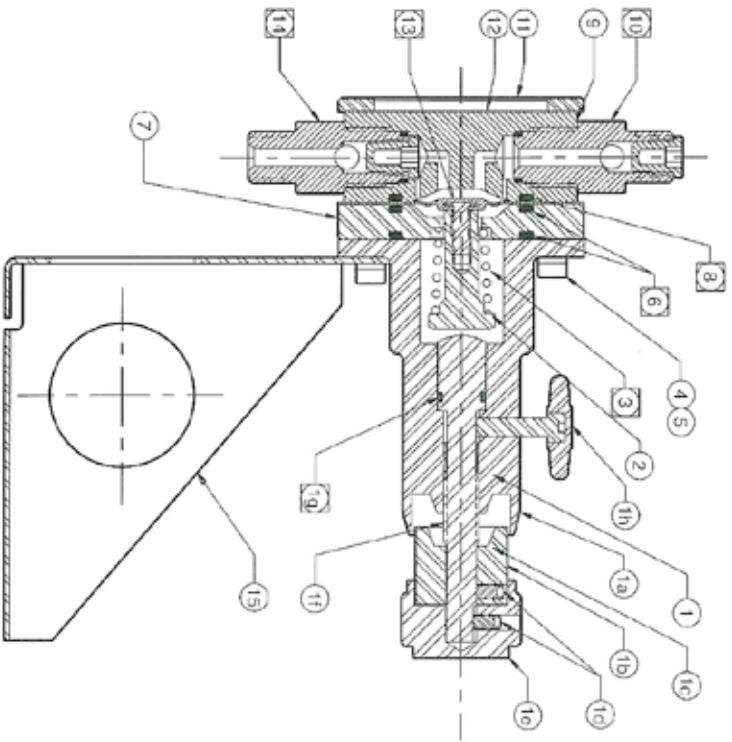
### REPAIR KIT NO. - RKLD100-TFE-TFE

PART NUMBER	DESCRIPTION	QUANTITY
LD201173	Diaphragm (Teflon)	1
LD101394	Return Spring - Diaphragm	1
LD101232	Faceplate O-Ring (Teflon Coated)	1
V-125	Backplate O-Ring (Viton®)	2
V-012	O-Ring - Stroke Adjuster Stem (Viton®)	1
CV201275	Discharge Check Valve (Teflon)	1
CV201272	Suction Check Valve (Teflon)	1

**NOTES:**

Controller and relay repair kits must be ordered separately.

# LD100-TFE SERIES PUMP PARTS LIST




ITEM	DESCRIPTION	NO. REQ'D	LD100-TFE-TFE
1	<b>Stroke Adjuster Assembly</b>	1	<b>SA-LD100-SS</b>
1a	Spring Chamber - Stroke Adjuster Barrel	1	LD301230
1b	Scale	1	DP301240
1c	Cylinder	1	LD201239
1d	Set Screw 10-32 x 1/4"	2	A103214SS
1e	Knob	1	LD201241
1f	Stem	1	LD201236
1g	O-Ring (Viton <sup>®</sup> )	1	V-012
1h	Thumb Screw - Stroke Adjuster Lock	1	MC102338
2	<b>Spring Retainer</b>	1	LD201234
3	<b>Return Spring</b>	1	LD101394
4	<b>Socket Head Cap Screw 10-32 x 1 3/4" (SS)</b>	6	P39-2SN
5	<b>Washer Flat #10 (SS)</b>	6	W10L
6	<b>Back Plate O-Ring (Viton<sup>®</sup>)</b>	2	V-125
7	<b>Back Plate</b>	1	LD201229
8	<b>Face Plate</b>	1	LD301269
9	<b>Face Plate O-Ring (Teflon Coated)</b>	1	LD101232
10	<b>Discharge Check Valve</b>	1	<b>CV201275</b>
10a	Discharge Check Valve Body (Kynar <sup>®</sup> )	1	CV201276
10b	Retainer (Teflon)	1	CV201274
10c	Ball - 1/4" (Rudy Sapphire)	1	CV4-2RSC *
10d	O-Ring Seal (Teflon Coated)	1	LD101196
11	<b>Retaining Ring</b>	1	LD201271
12	<b>Data Plate</b>	1	DP201270
13	<b>Diaphragm (Teflon)</b>	1	<b>LD201173</b>
14	<b>Suction Check Valve</b>	1	<b>CV201272</b>
14a	Suction Check Valve Body (Kynar <sup>®</sup> )	1	CV201273
14b	Retainer (Teflon)	1	CV201274
14c	Ball - 1/4" (Rudy Sapphire)	1	CV4-2RSC *
14d	O-Ring Seal (Teflon Coated)	1	LD101196
15	<b>Mounting Bracket</b>	1	LD301231
16	<b>Nipple Connector 1/4" NPT x 2" (Not Shown)</b>	1	NC-4-2S
N/A	<b>Diaphragm Kit</b>	1	<b>DKLD100-TFE</b>
N/A	<b>Repair Kit</b>	1	<b>RKLD100-TFE-TFE</b>

**IMPORTANT:** Diaphragm pumps must be installed in a vertical position. Suction and discharge check valves are unloaded (no spring). Consequently, in order to work they must be mounted vertically.

Supply pressure to the pump must be a minimum of 50 PSI.

Maximum supply pressure to the LD100-TFE is 100 PSI.

\* Also available in Zirconia (CV4-ZZL)

**REPAIR KITS:** The items identified with the symbol  are contained in a complete pump repair kit. Controller and relay repair kits must be ordered separately.