



**WILLIAMS**  
**MILTON ROY**

**P1000V SERIES  
PUMP REPAIR KITS**

**REPAIR KIT NO. - RK1000V400 (1)\_ (2)**

PART NUMBER	DESCRIPTION	QUANTITY
BR-223-90	BODY SEAL O-RING	1
CV202288	DISCHARGE CHECK VALVE	1
CV202298	SUCTION CHECK VALVE	1
MC102174	PISTON GUIDE RING	1
MC102245	MOTOR RETURN SPRING	1
MC400-02BR	PISTON U-CUP/BUNA N	1
PP202249-01 <sup>(1)</sup>	PISTON/PLUNGER ASSEMBLY	1
SS1000V-PE <sup>(2)</sup>	PLUNGER SEAL SET	1

**REPAIR KIT NO. - RK1000V600 (1)\_ (2)**

PART NUMBER	DESCRIPTION	QUANTITY
BR-223-90	BODY SEAL O-RING	1
CV202288	DISCHARGE CHECK VALVE	1
CV202298	SUCTION CHECK VALVE	1
MC102245	MOTOR RETURN SPRING	1
MC102260	PISTON GUIDE RING	1
MC600-02BR	PISTON U-CUP/BUNA N	1
PP202259-__ <sup>(1)*</sup>	PISTON/PLUNGER ASSEMBLY	1
SS1000V-__ <sup>(2)</sup>	PLUNGER SEAL SET	1

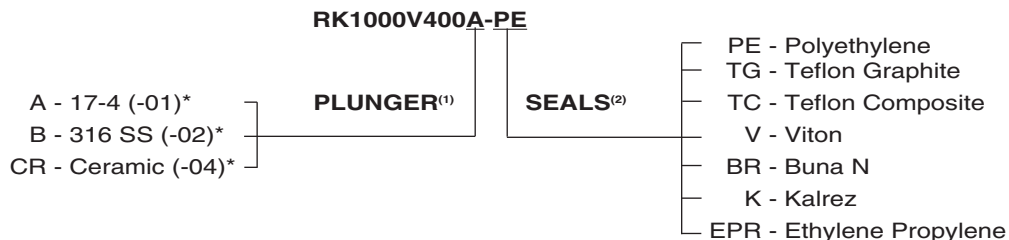
**SEAL KIT NO. - SK1000V400 (1)**

PART NUMBER	DESCRIPTION	QUANTITY
BR-022	O-RING-BUNA N	1
BR-116	O-RING-BUNA N	1
BR-223-90	BODY SEAL O-RING	1
MC102174	PISTON GUIDE RING	1
MC400-02BR	PISTON U-CUP/BUNA N	1
SS1000V-PE <sup>(2)</sup>	PLUNGER SEAL SET	1
PP302262-01 <sup>(1)</sup>	PISTON/PLUNGER ASSEMBLY	1
TT-112	O-RING/TEFLON	1
T-012	O-RING/TEFLON	1

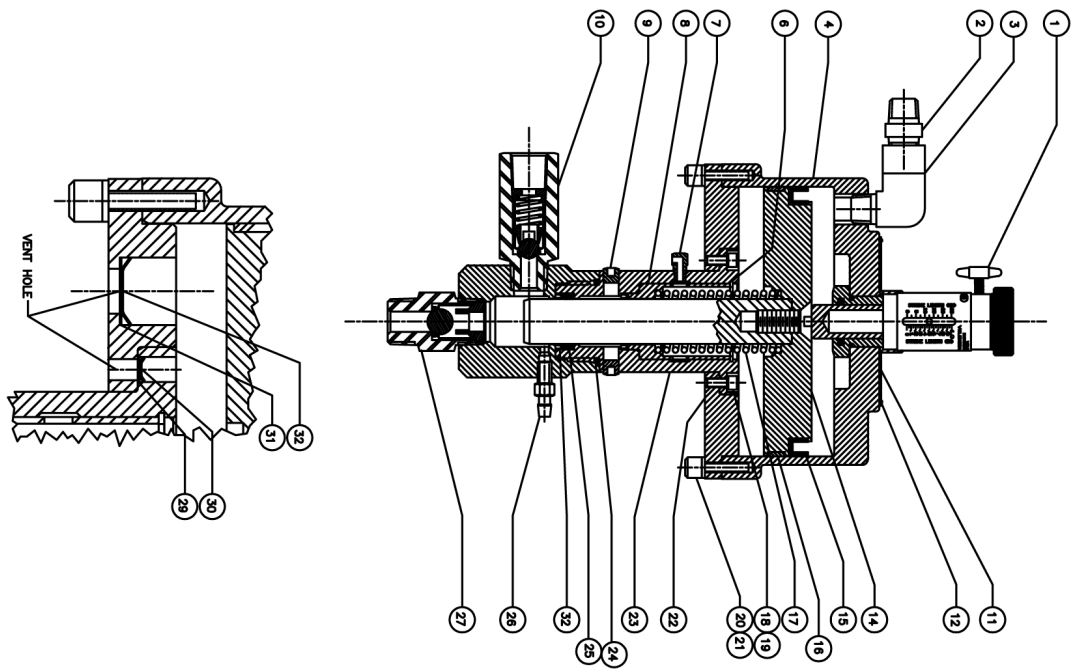
**SEAL KIT NO. - SK1000V600 (1)**

PART NUMBER	DESCRIPTION	QUANTITY
BR-022	O-RING-BUNA N	1
BR-116	O-RING-BUNA N	1
BR-223-90	BODY SEAL O-RING	1
MC102260	PISTON GUIDE RING	1
MC600-02BR	PISTON U-CUP/BUNA N	1
SS1000V-PE <sup>(2)</sup>	PLUNGER SEAL SET	1
TT-112	O-RING	1
T-012	O-RING	1

**(1) & (2):** To order the proper plunger and seal materials, please indicate the appropriate letter as shown in the example below. The letters following the dash for the piston plunger assembly (PP202249) and plunger seal set (SS1000V) will correspond to the material chosen in the repair kit number.



# P1000V400 & 600 SERIES PUMP PARTS LIST



ITEM	DESCRIPTION	NO. REQ'D	P1000V400	P1000V600
1	Stroke Adjuster Assembly	1	SA202252	SA202252
2	Hex Nipple - 3/8" NPT	1	HN38316	HN38316
3	Street Elbow - 3/8" NPT	1	N/A	SS-6-SE
4	Motor Cylinder	1	MC302247	MC402256
5	Vent Check Valve Assembly	1	N/A	N/A
6	Retainer - Spring Seat	1	MC102359	MC102359
7	Vent Plug - 1/16" NPT	1	PP102143	PP102143
8	Spring Seat	1	MC202248	MC202248
9	Plug - 1/8" NPT	2	OS601	OS601
10	Assy - Discharge Check Valve - CV8	1	CV202288	CV202288
10a	Check Valve Body - 316 SS	1	CV202290	CV202290
10b	Ball Seat - 316 SS	1	CV202291	CV202291
10c	Spring	1	CV102046	CV102046
10d	Sleeve	1	CV202292	CV202292
10e	Ball - 7/16" - 316 SS	1	CV102313	CV102313
10f	Retainer Sleeve	1	CV202293	CV202293
10g	O-Ring - Teflon	1	T-012	T-012
11	Data Plate	1	DP202198	DP202304
12	Drive Screw - Data Plate	1	S2316D	S2316D
13	N/A	N/A	N/A	N/A
14	Assy - Plunger (See Note 1)	1	PP202249 <sup>(1)</sup>	PP202259 <sup>(1)</sup>
15	U-Cup - Piston - Buna N	1	MC400-02BR	MC600-02BR
16	Guide Ring - Piston	1	MC102174	MC102260
17	Spring - Piston Return	1	MC102245	MC102245
18	Screw - 10-32 x 1/2" SS SHCS	6	A103212SHCS	A103212SHCS
19	Washer - #10 Split Lock	6	W10L	W10L
20	Screw - 5/16-18 x 1" SHCS	6, 10	MC600-06	MC600-06
21	Washer - 5/16" Split Lock	1	W516L	W516L
22	Face Plate	1	MC202246	MC302257
23	Assy - Pump Body & Fluid Cylinder	1	PP302086	PP302086
24	O-Ring - Body Seal	1	BR-223-90	BR-223-90
25	Plunger Seal Set (See Note 2)	1	SS1000V- <sup>(2)</sup>	SS1000V- <sup>(2)</sup>
26	Bleeder Plug w/Hose Barb	1	BV202139	BV202139
27	Assy - Check Valve - Inlet	1	CV202298	CV202298
27a	Check Valve Body - 316 SS	1	CV202299	CV202299
27b	Sleeve	1	CV202300	CV202300
27c	Retainer Sleeve	1	CV202303	CV202303
27d	Ball - 9/16" - 316 SS	1	CV102314	CV102314
27e	O-Ring - Teflon	1	T-112	T-112
28	Filter - Pump Body - 60 Micron	6	MC102360	MC102360
29	Retainer - Plug Filter - Pump Body	6	MC102150	MC102150
30	Filter - Face Plate - 40 Mesh	6	MC102397	MC102397
31	Retaining Ring - Filter - Face Plate	6	MC102398	MC102398
32	Sealing Ring	1	CR102387	CR102387
N/A	Repair Kit	N/A	RK1000V400 <sup>(1)</sup> - <sup>(2)</sup>	RK1000V600 <sup>(1)</sup> - <sup>(2)</sup>
N/A	Seal Kit	N/A	SK1000V400 <sup>(1)</sup> - <sup>(2)</sup>	SK1000V600 <sup>(1)</sup> - <sup>(2)</sup>

**Note 1:** **PLUNGER (Item #14)** Designate the proper plunger material by adding a dash number to the base part number: for 17-4 pH (01), for 316 SS (02), and for Ceramic (04).

**Note 2:** **PLUNGER SEAL SETS (Item #25)** Seals must be compatible with the chemical used. Designate the proper seal by adding a dash number to the base part number: for Polyethylene (PE), Teflon Graphite (TG), Teflon Composite (TC), Viton (V), Buna N (BR), Ethylene Polypropylene (EPR), or Kalrez (K). Please specify when placing order.

**REPAIR KITS:** The items identified with the symbol are contained in a complete pump repair kit. Controller and relay repair kits must be ordered separately.