

LEVEL CONTROL SWITCHES

L I N C - 2 8 2 & 2 8 2 S C S E R I E S

The LINC-282 & LINC-282SC Series: Snap Acting, Non-Bleed Pneumatic Level Control Switches



Application:

These units are used as a level control or as a high or low level alarm. The pneumatic output can be used to operate valves, sound alarms or perform any other desired pneumatic function. Any liquid or liquid interface can be monitored.

Operation:

As the float is moved by varying liquid height, a magnet in the float arm is moved. The magnet operates the 282's three-way, two-position cartridge. The output is snap-acting from 0 psi to full supply pressure or conversely, on float movement.

The arm containing the magnet also acts as a counterweight for the float. As a result, the float is small and can operate in liquids with a specific gravity of 0.5 or higher. This small float permits economical installation where other types of controls would be cost prohibitive.

Direct acting (increase in liquid level increases output) or indirect acting (increase in liquid level decreases output) is selected simply by changing the supply pressure and exhaust connections.

Benefits:

- Easy to Repair.....
- Easy to Field Test.....
- No Leaks.....
- Lower Operating Costs.....
- Lower Inventory.....
- Safe.....
- Corrosion Resistant.....
- Optional Corrosion Resistant Materials.....
- High & Low Pressure Applications.....

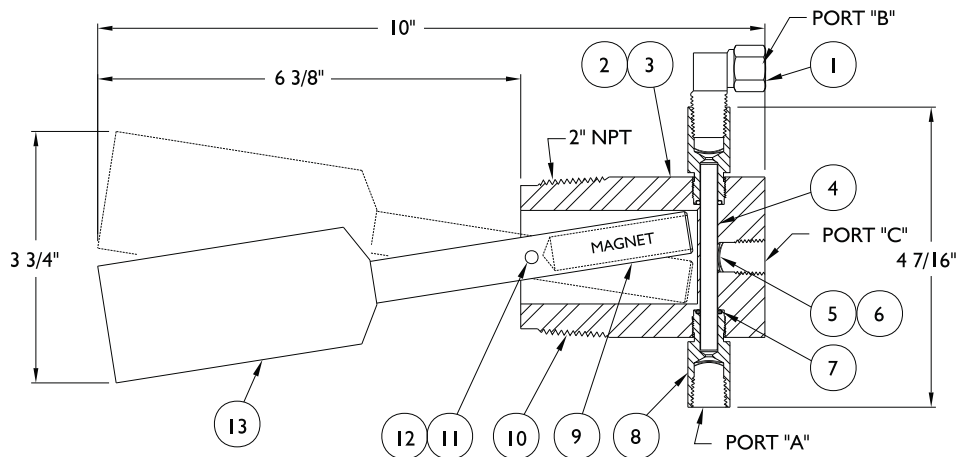
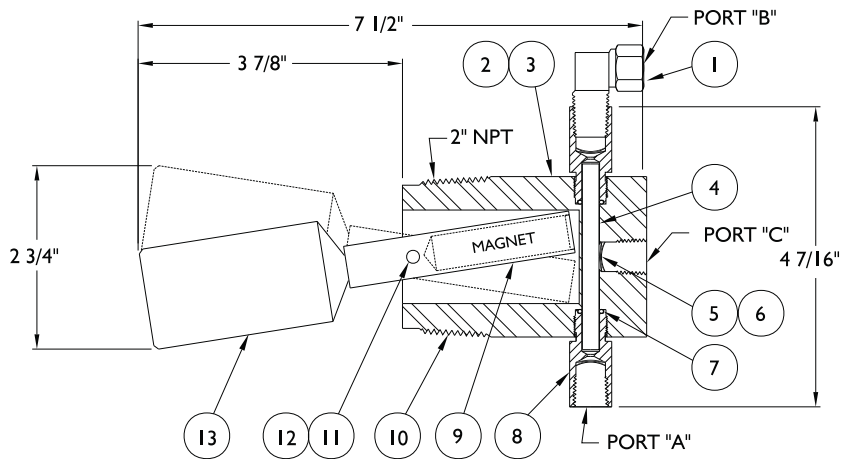
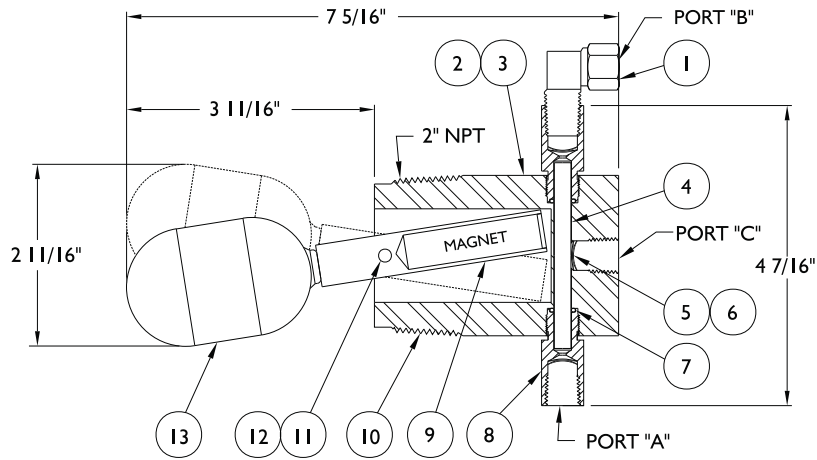
Features:

- Repairs on-site in 20 minutes with the Quick-Change pneumatic cartridge
- The Manual Override option enables mechanical and pneumatic function testing while installed
- Environmentally-isolated design keeps operational fluids away from supply gas
- Quick-Change replacement parts
- Non-Bleed output saves gas
- Direct or indirect acting by changing the supply and exhaust ports
- Use One 282 on either high or low level activation
- Pneumatic activation in an environmentally-isolated design
- Standard 316 Stainless Steel wetted and housing components for corrosion resistance
- Monel, Kynar, Teflon, Teflon Coated, Hastelloy C, PVC, Polypropylene, and Alloy 20
- Available with Stainless Steel and Polypropylene displacer options for various process pressures

LEVEL CONTROL SWITCHES

L I N C - 2 8 2 & 2 8 2 S C S E R I E S

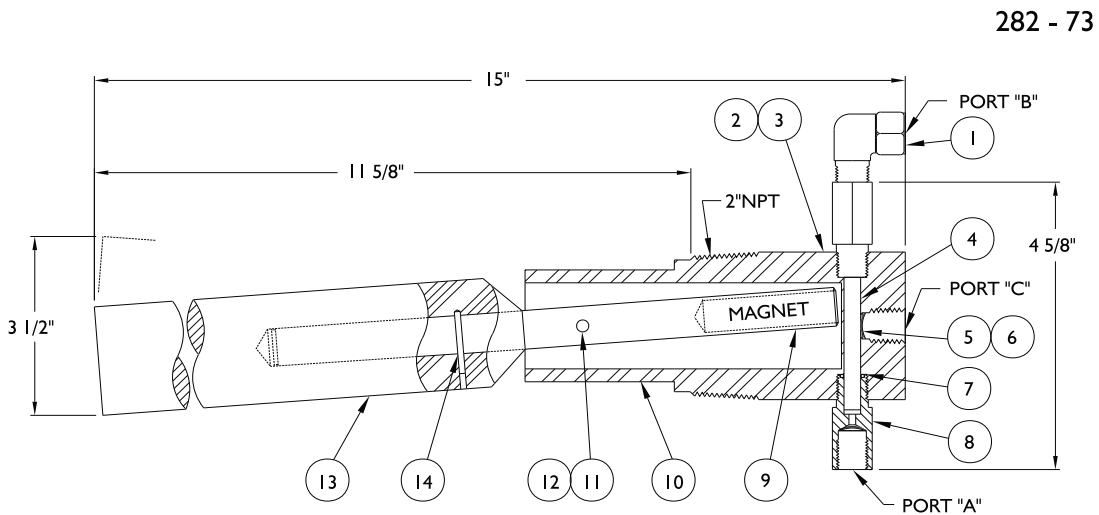
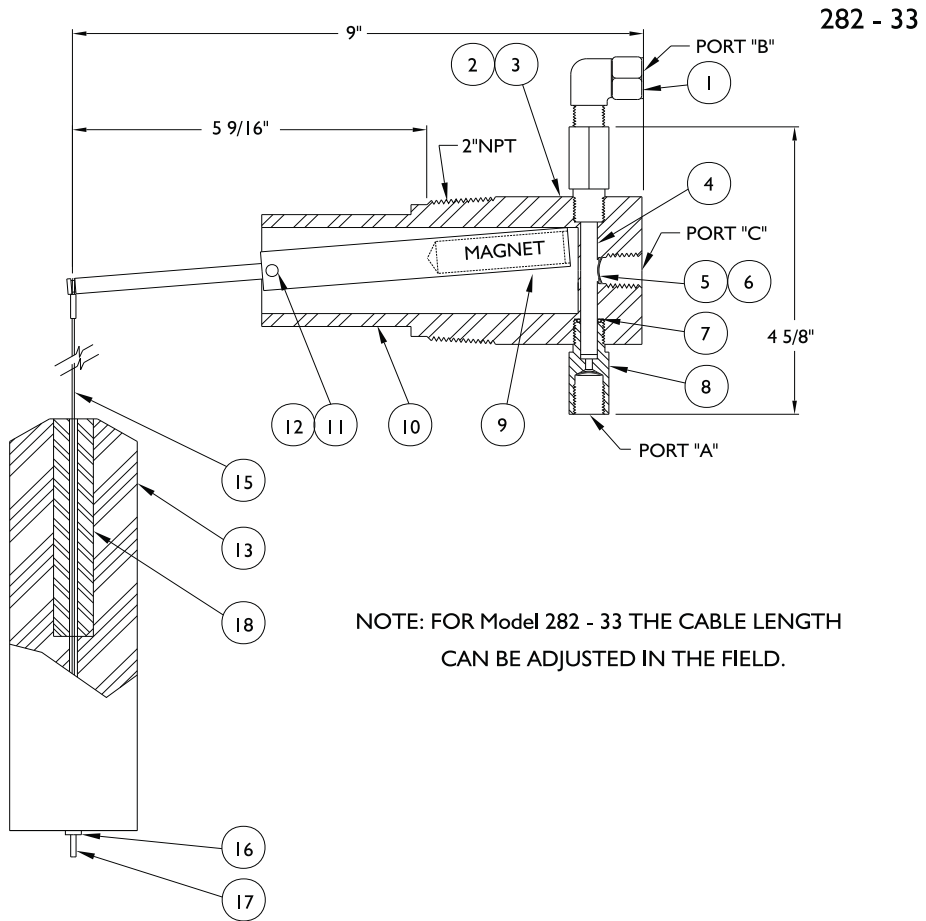
The LINC-282 Pneumatic Series:
Standard Unit, Diagram



LEVEL CONTROL SWITCHES

LINC - 282 & 282SC SERIES

The LINC-282 Pneumatic Series:
Standard Unit, Diagram

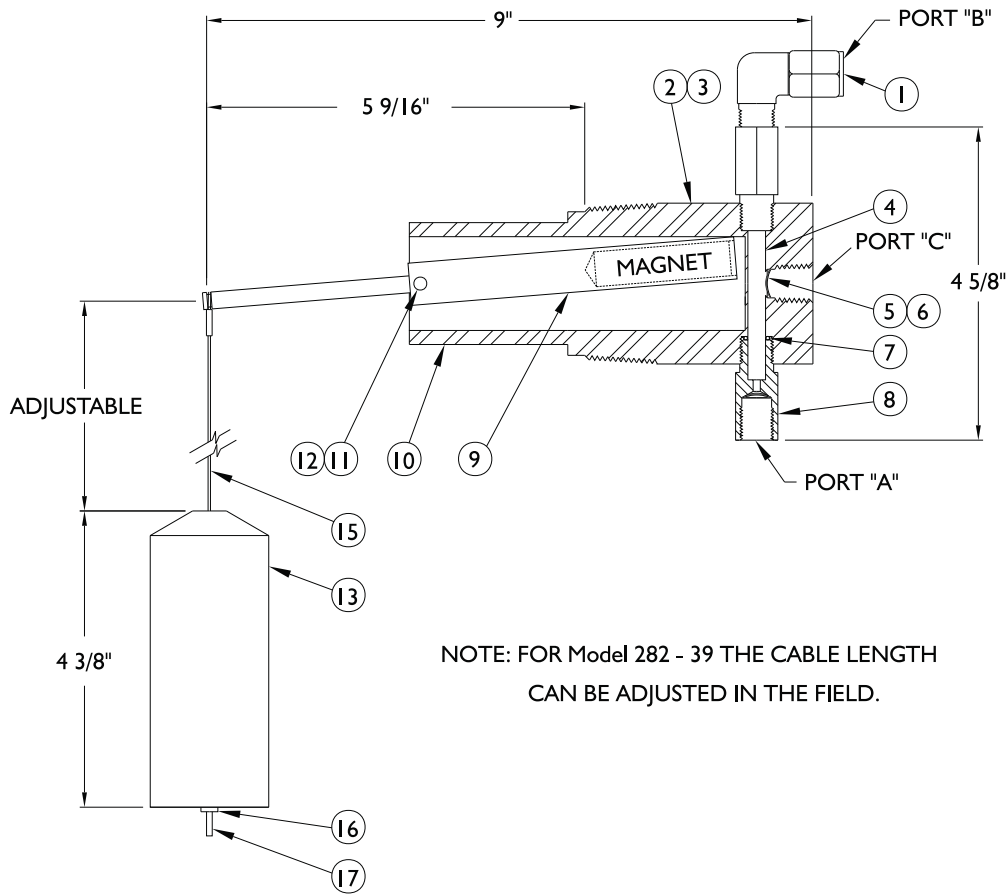


LEVEL CONTROL SWITCHES

L I N C - 2 8 2 & 2 8 2 S C S E R I E S

The LINC-282 Pneumatic Series:
Extended Body, Diagram

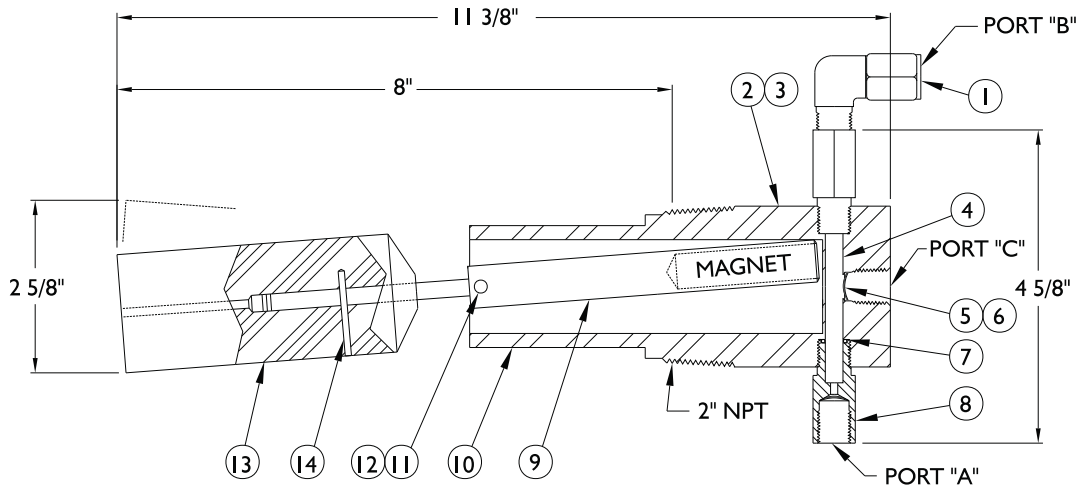
282 PNEUMATIC LEVEL CONTROL



282 - 39

NOTE: FOR Model 282 - 39 THE CABLE LENGTH
CAN BE ADJUSTED IN THE FIELD.

282 - 79



LEVEL CONTROL SWITCHES

LINC - 282 & 282 SC SERIES

The LINC-282 Pneumatic Series: Parts List

Model	282-11	282-12	282-13			
Item	Part #	Part #	Part #	Description	Material	Qty
1	23339	23339	23339	Vent Assembly	Brass	1
2	10998	10998	10998	Nameplate	316 ss	1
3	10324	10324	10324	Drive Screw	18-8 ss	2
4	See Chart Below			Switch Cartridge		
5	11006	11006	11006	Filter	18-8 ss	3
6	10403	10403	10403	Retaining Screen	18-8 ss	3
7	10108	10108	10108	O-Ring	Fluorocarbon	2
8	22451	22451	22451	Port Adapter	303 ss	2
9	22068	22068	22166	Float/Magnet Arm	316 ss	1
10	30816	30816	30816	Body	316 ss	1
11	20334	20334	20334	Pin	316 ss	1
12	22066	22066	22066	Spacer	316 ss	2
13	13217			Float/Displacer	316 ss	1
		20892	20898	Float/Displacer	Polypropylene	1

Model	282-33	282-39	282-73	282-79			
Item	Part #	Part #	Part #	Part #	Description	Material	Qty
1	23339	23339	23339	23339	Vent Assembly	Brass	1
2	10998	10998	10998	10998	Nameplate	316 ss	1
3	10324	10324	10324	10324	Drive Screw	18-8 ss	2
4	See Chart Below				Switch Cartridge		1
5	11006	11006	11006	11006	Filter	18-8 ss	3
6	10403	10403	10403	10403	Retaining Screen	18-8 ss	3
7	10108	10108	10108	10108	O-Ring	Fluorocarbon	2
8	22451	22451	22451	22451	Port Adapter	303 ss	2
9	31074	31074	31113	31074	Float/Magnet Arm	316 ss	1
10	31072	31072	31072	31072	Body	316 ss	1
11	23537	23537	23537	23537	Pin	316 ss	1
12	22066	22066	22066	22066	Spacer	316 ss	2
13	24182	23503	23512	23503	Float/Displacer	Polypropylene	1
14	11571	11571	11571	11571	Pin	15-7 PH ss	1
15	11566	11566			Wire	18-8 ss	24"
16	23500	23500			Stop Ring	316 ss	2
17	11565	11565			Crimp	18-8 ss	3
18	24181				Weight	316 ss	1

Pneumatic Switch Cartridge

Part #	Model Option	Description
22935	-1	0-30 PSI Switch
22936	-2	0-60 PSI Switch
22899	-3	0-100 PSI Switch

All 282 Ports are 1/4" NPT Female.

For Direct Acting Operation:
Connect Supply to Port "A"
Connect Output to Port "C"
Port "B" is Vent

For Indirect Acting Operation:
Connect Supply to Port "B"
Connect Output to Port "C"
Port "A" is Vent